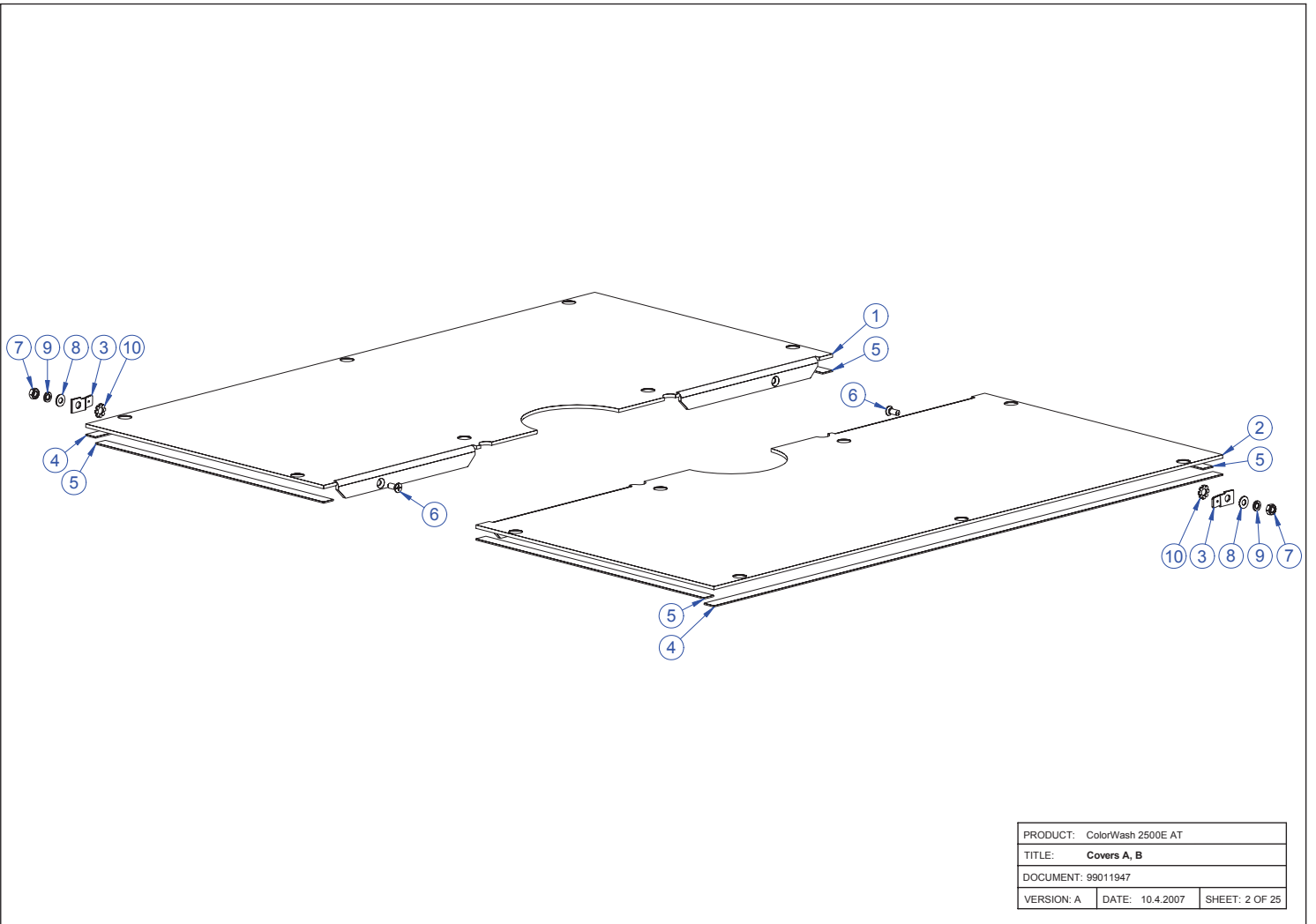
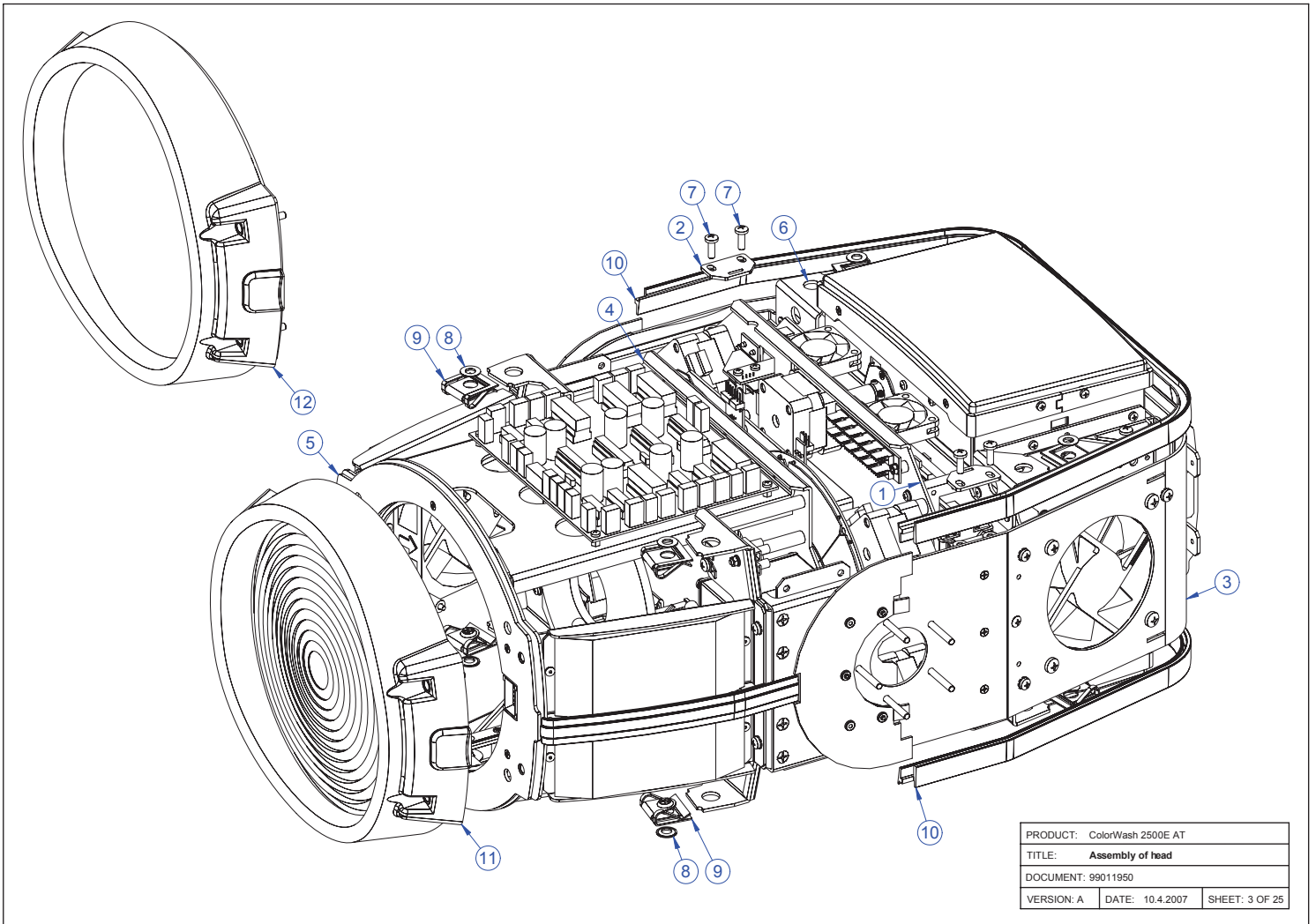


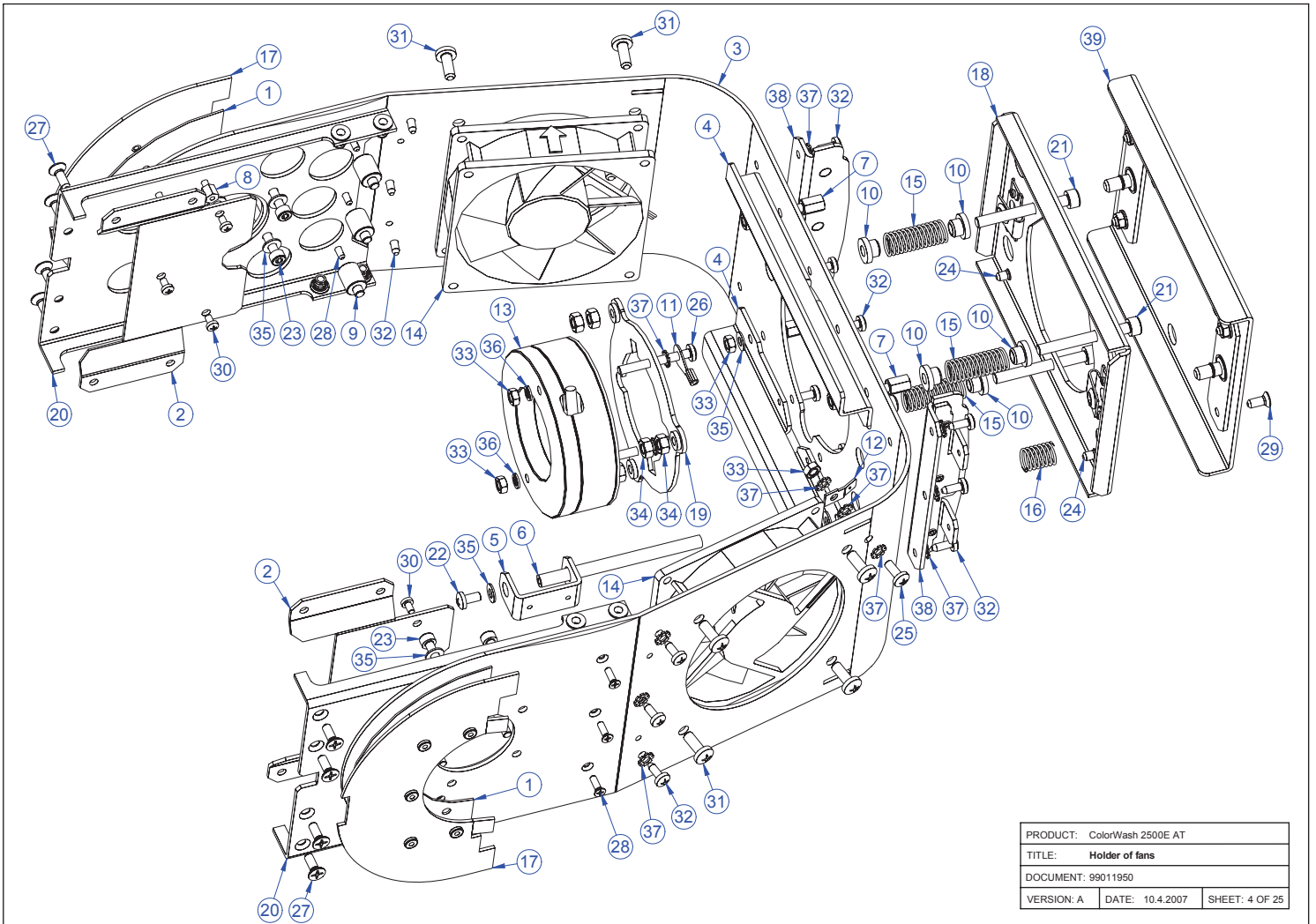
PRODUCT: ColorWash 2500E AT		
TITLE: Covers		
DOCUMENT: 99011948		
VERSION: A	DATE: 10.4.2007	SHEET: 1 OF 25



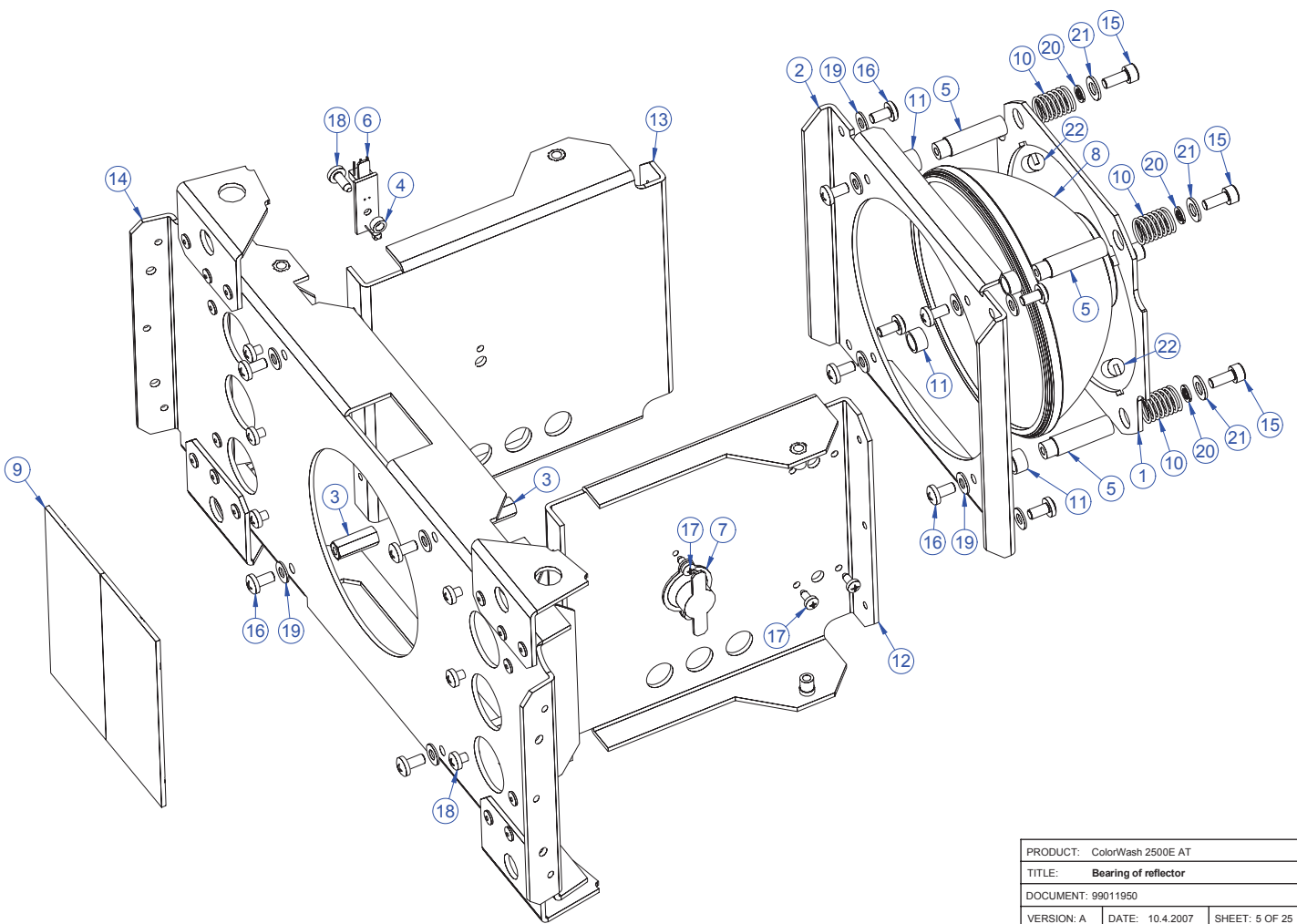
PRODUCT: ColorWash 2500E AT		
TITLE: Covers A, B		
DOCUMENT: 99011947		
VERSION: A	DATE: 10.4.2007	SHEET: 2 OF 25



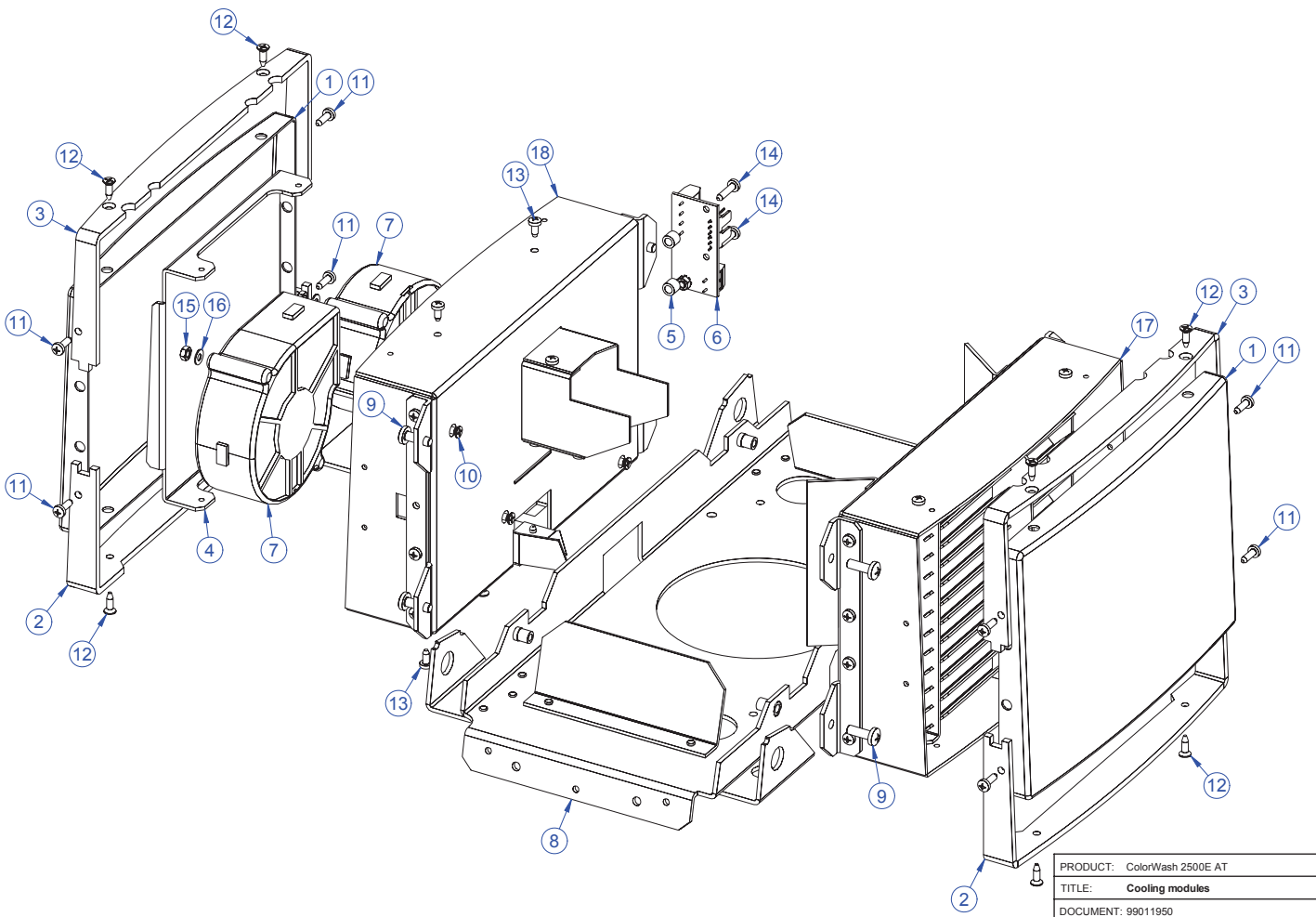
PRODUCT: ColorWash 2500E AT		
TITLE: Assembly of head		
DOCUMENT: 99011950		
VERSION: A	DATE: 10.4.2007	SHEET: 3 OF 25



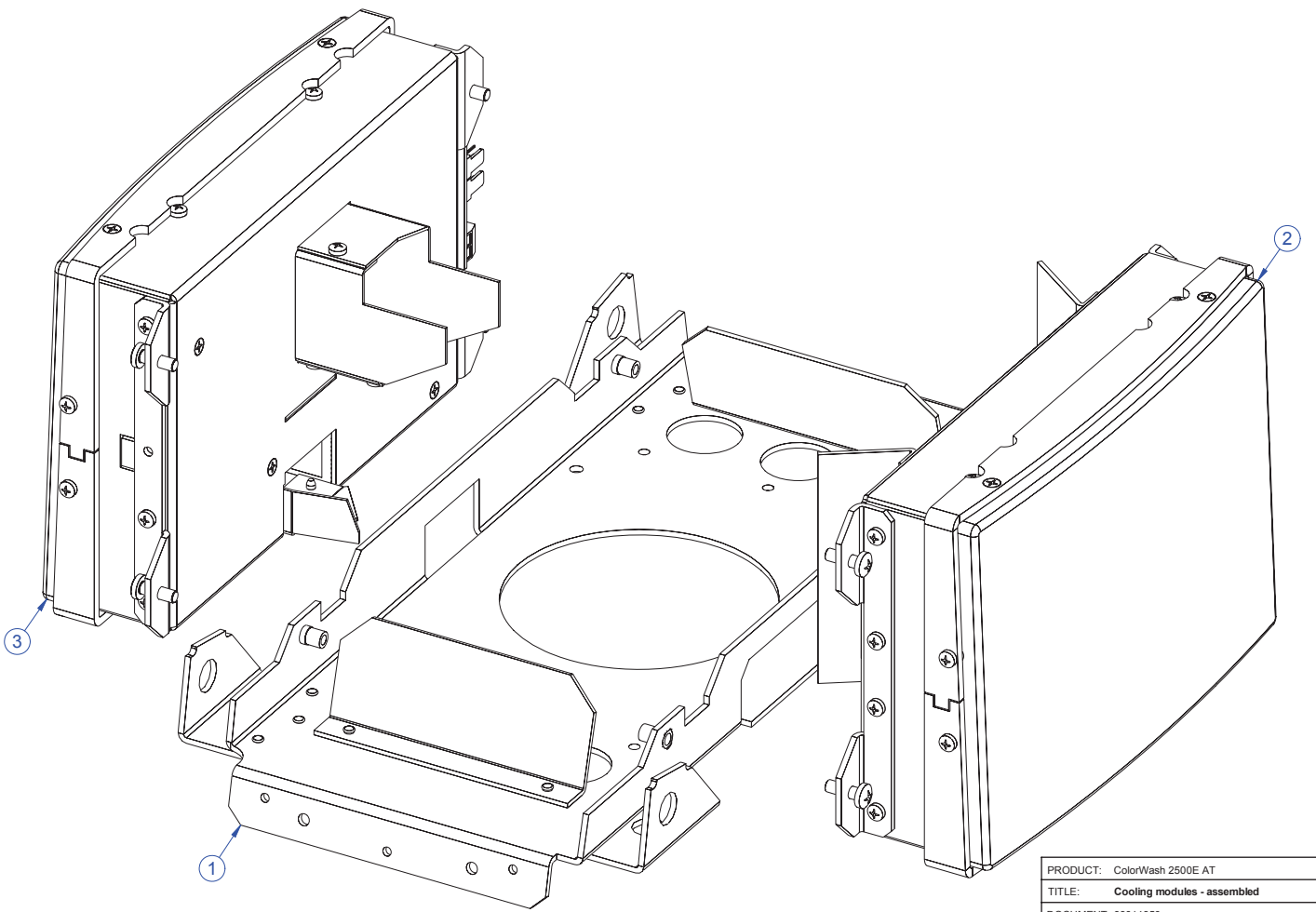
PRODUCT: ColorWash 2500E AT		
TITLE: Holder of fans		
DOCUMENT: 99011950		
VERSION: A	DATE: 10.4.2007	SHEET: 4 OF 25



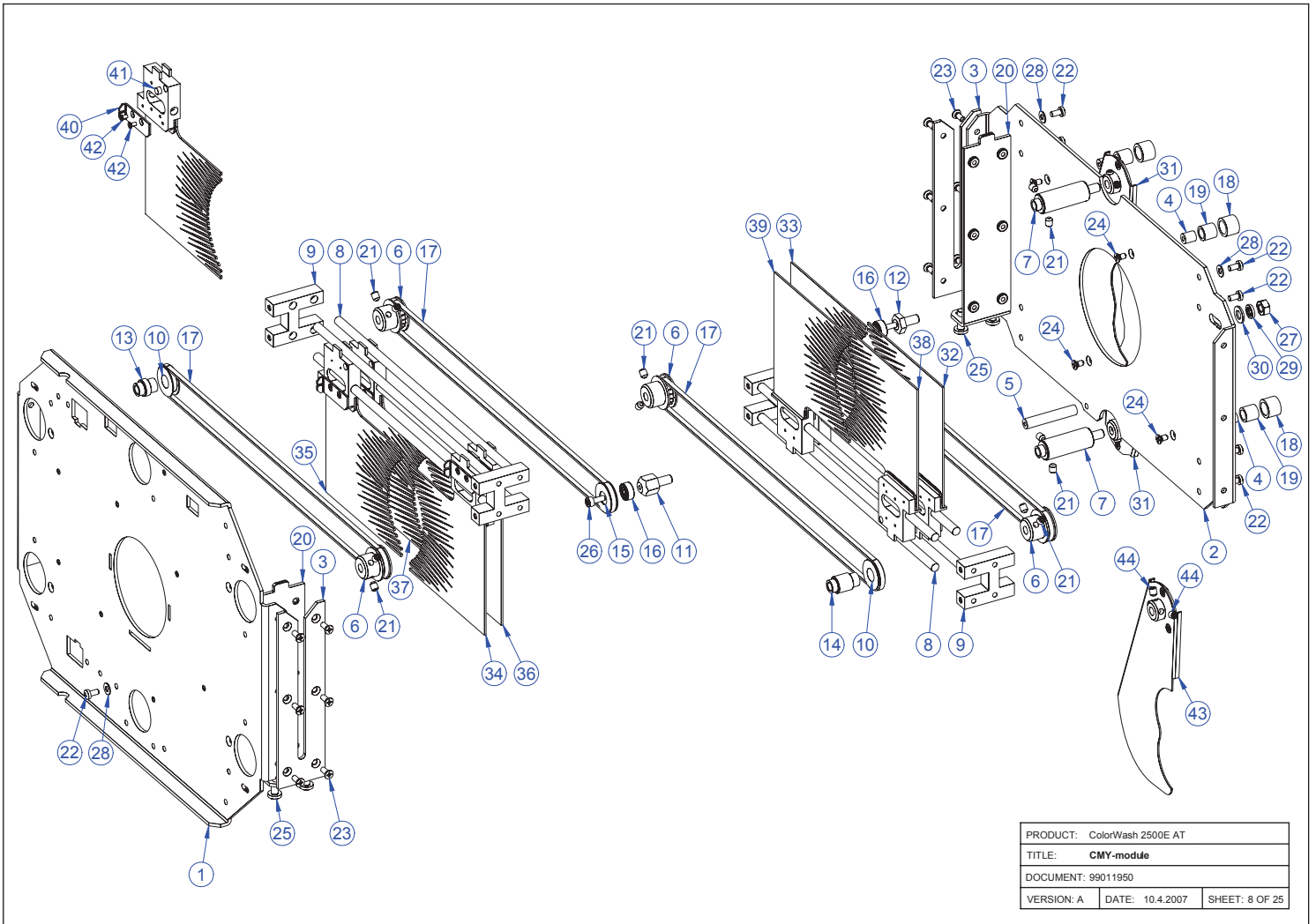
PRODUCT: ColorWash 2500E AT		
TITLE: Bearing of reflector		
DOCUMENT: 99011950		
VERSION: A	DATE: 10.4.2007	SHEET: 5 OF 25



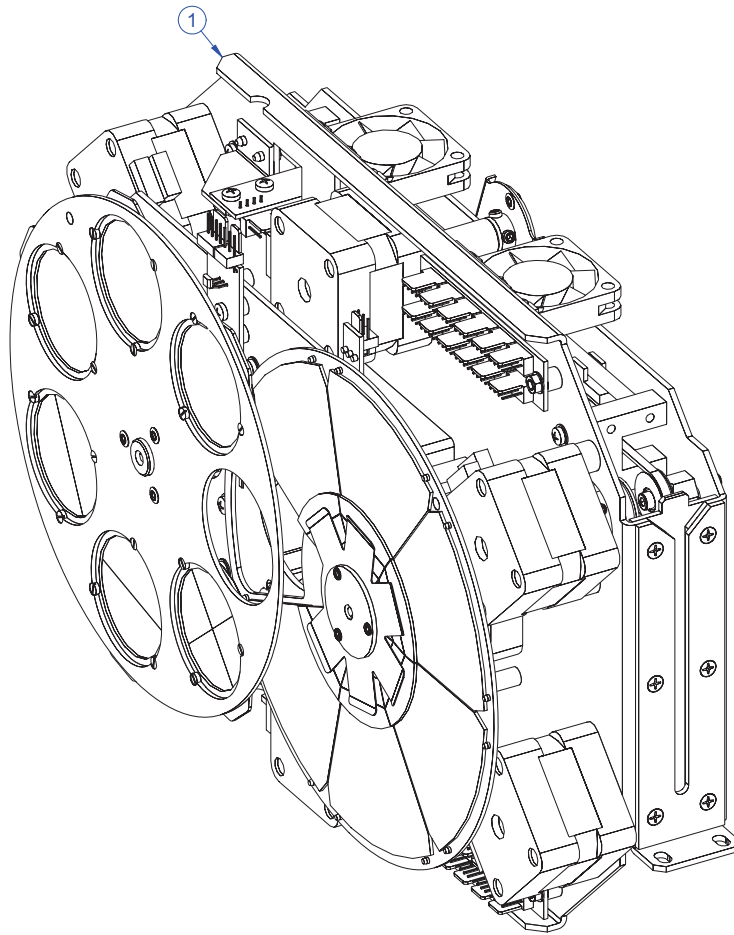
PRODUCT: ColorWash 2500E AT		
TITLE: Cooling modules		
DOCUMENT: 99011950		
VERSION: A	DATE: 10.4.2007	SHEET: 6 OF 25



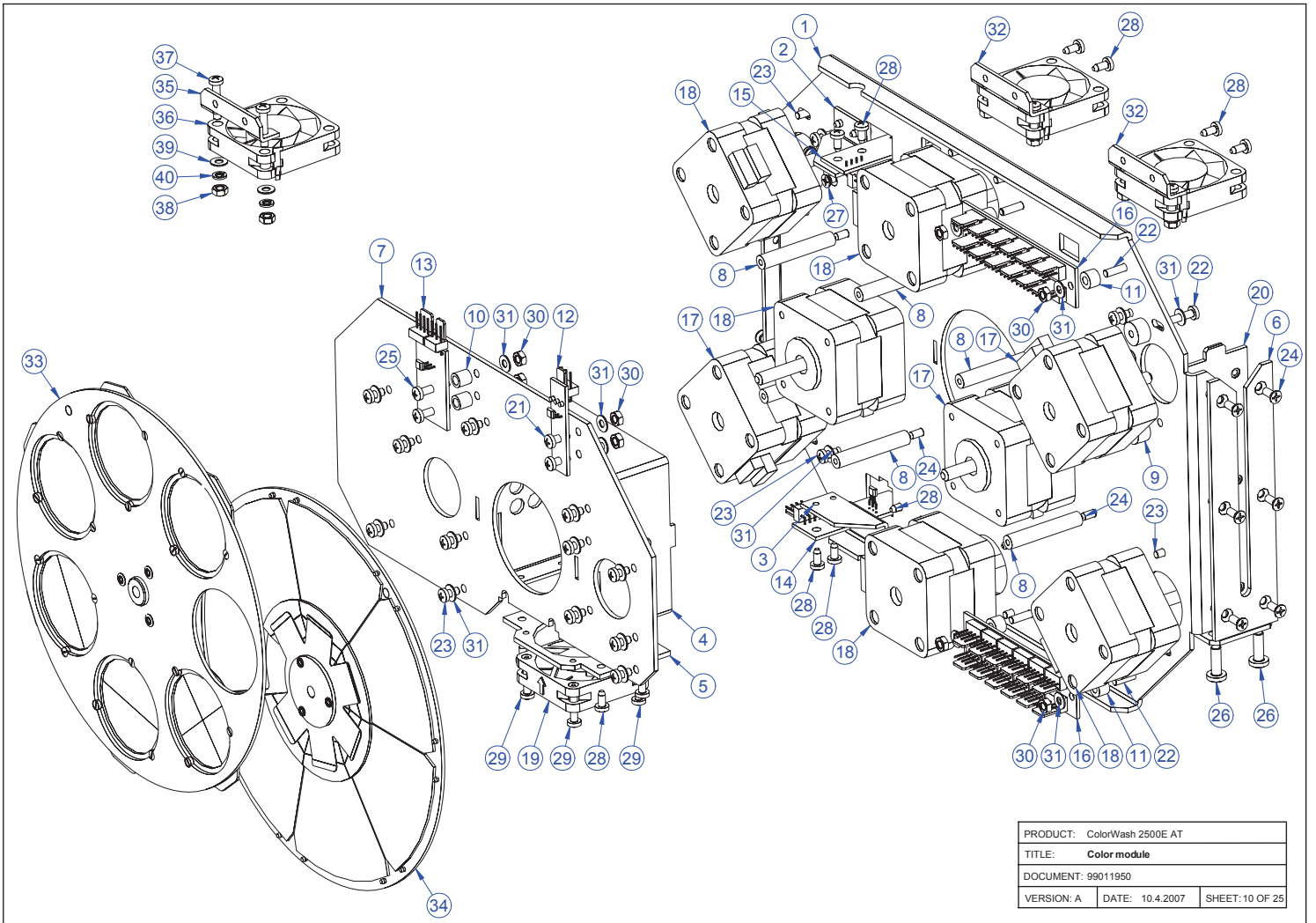
PRODUCT: ColorWash 2500E AT		
TITLE: Cooling modules - assembled		
DOCUMENT: 99011950		
VERSION: A	DATE: 10.4.2007	SHEET: 7 OF 25



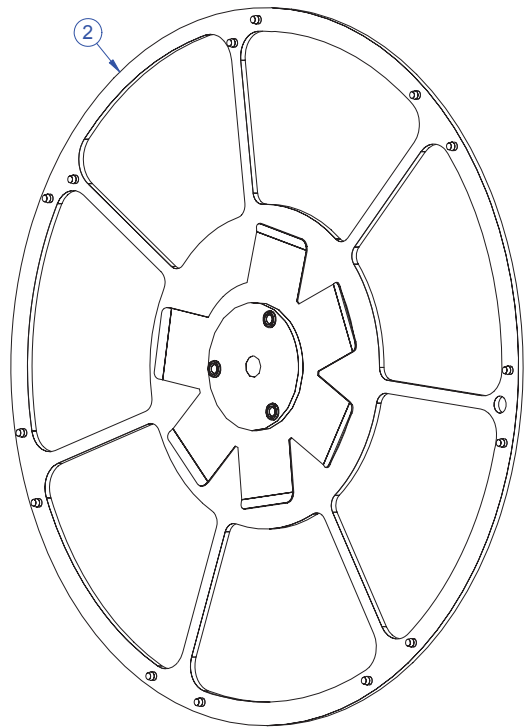
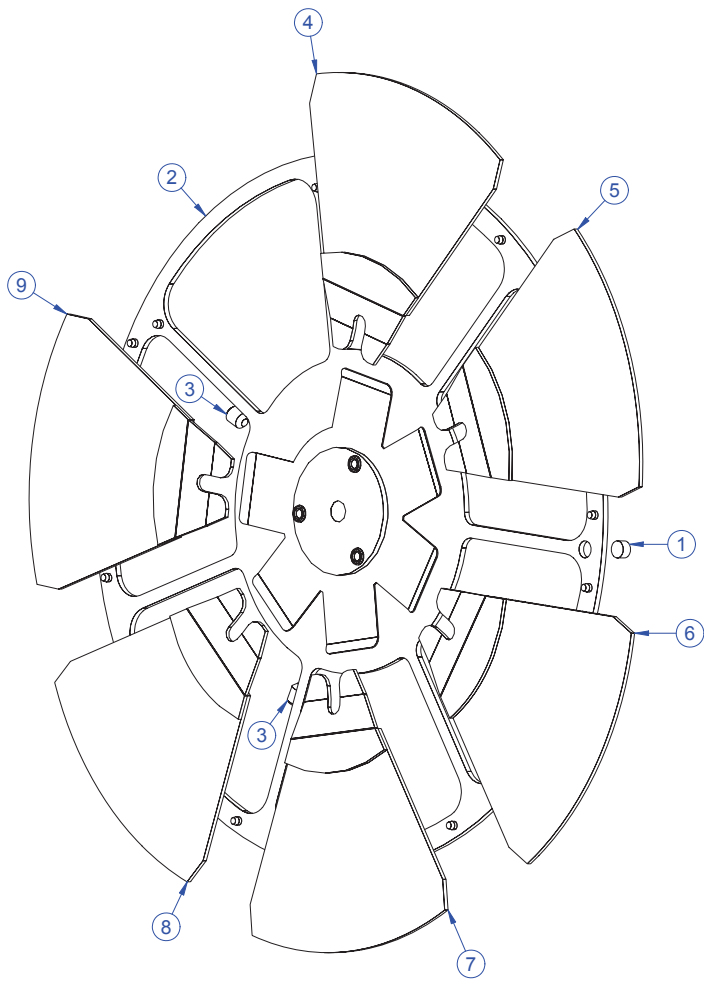




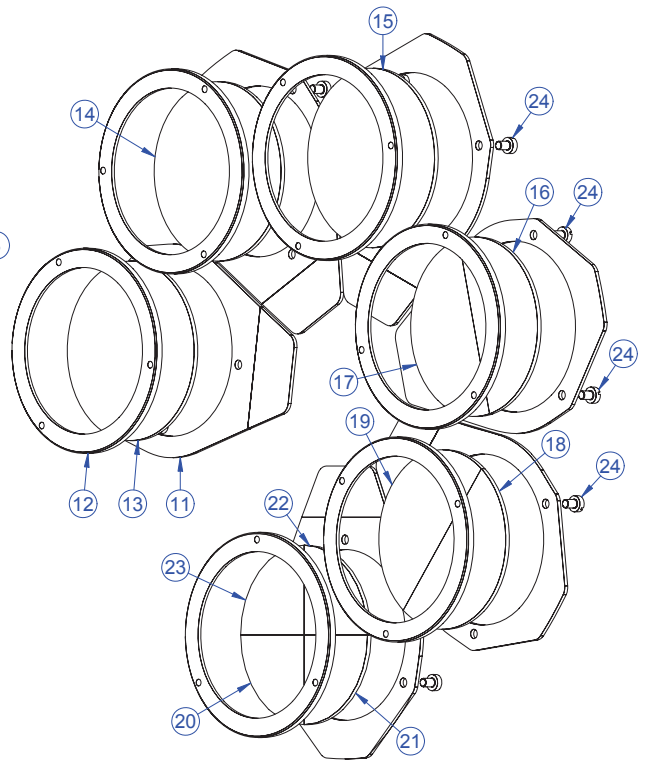
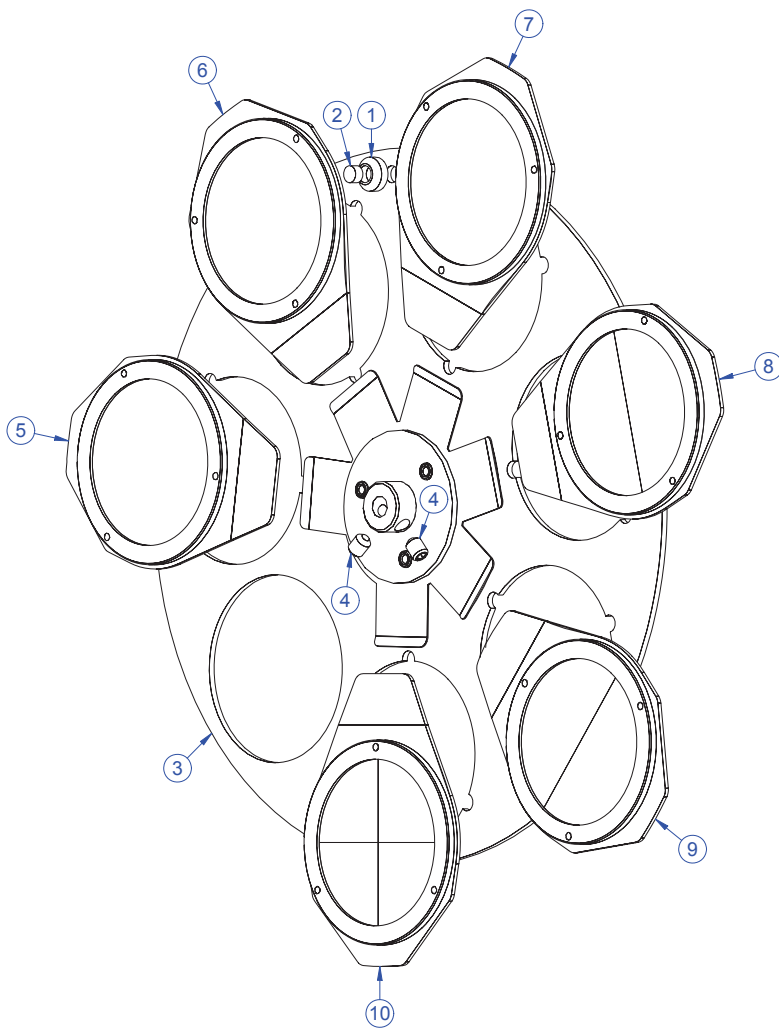
PRODUCT: ColorWash 2500E AT		
TITLE: CMY mixing system for CW 2500E AT		
DOCUMENT: 99011950		
VERSION: A	DATE: 10.4.2007	SHEET: 9 OF 25



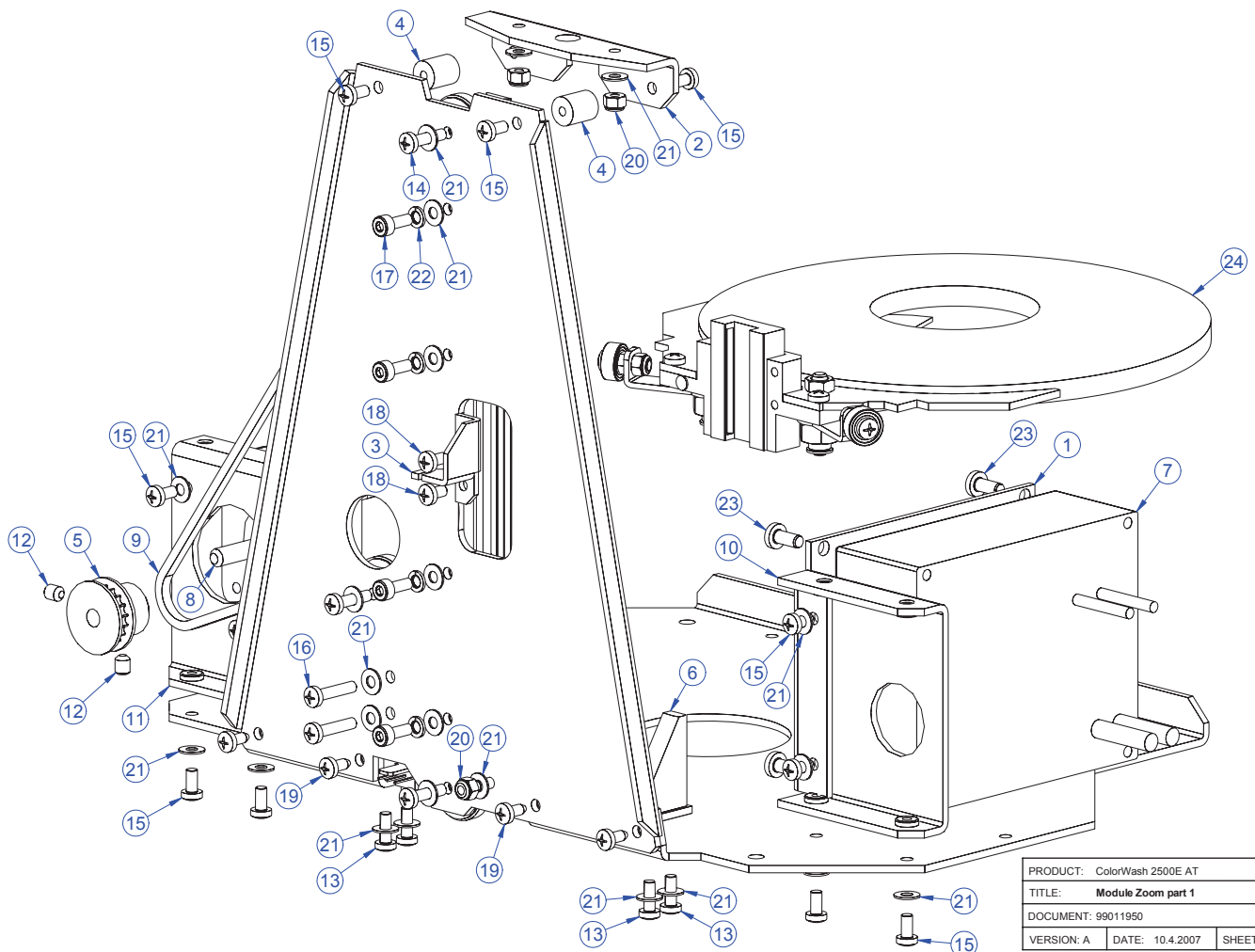
PRODUCT: ColorWash 2500E AT		
TITLE: Color module		
DOCUMENT: 99011950		
VERSION: A	DATE: 10.4.2007	SHEET: 10 OF 25



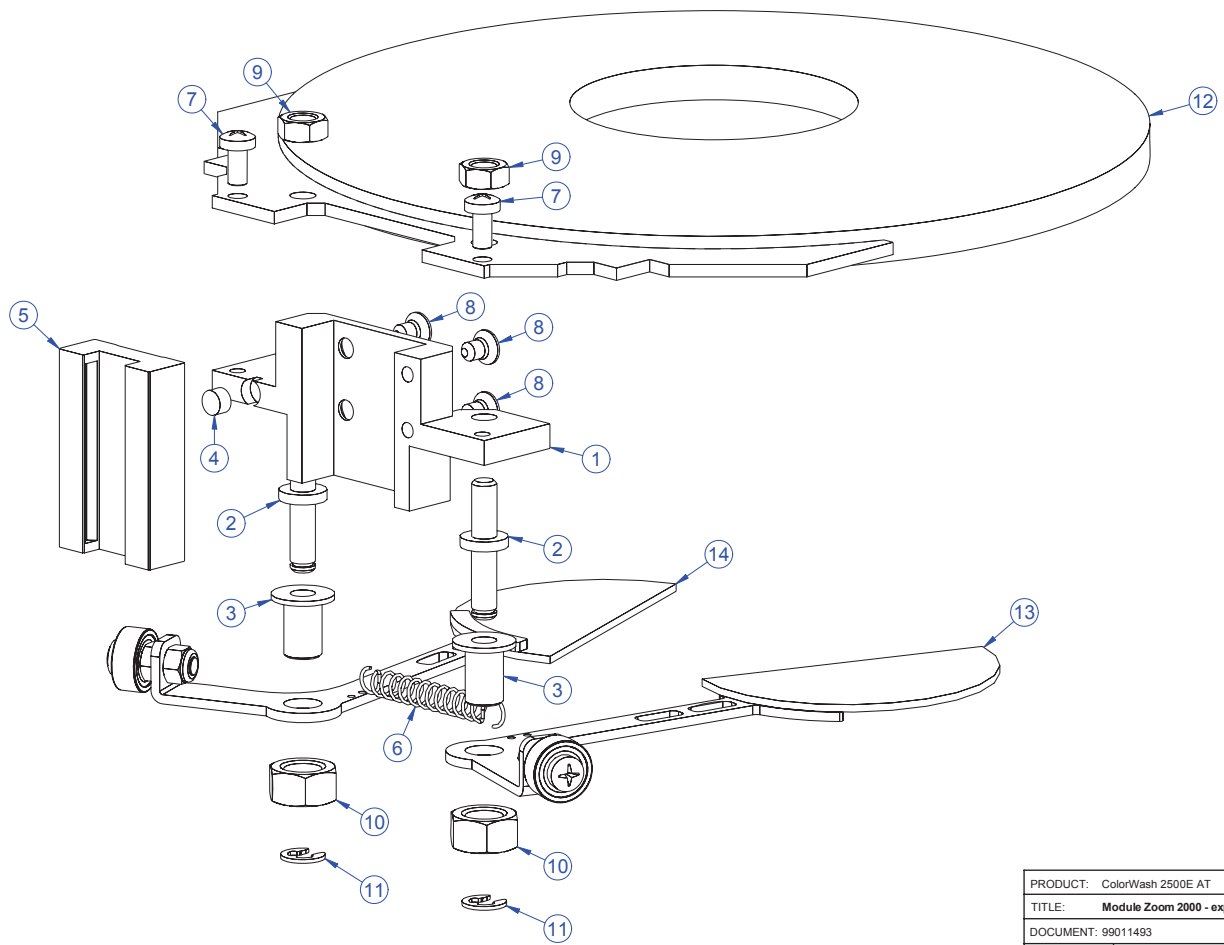
PRODUCT: ColorWash 2500E AT		
TITLE: Wheel Color 6+1 assembled		
DOCUMENT: 99011476		
VERSION: A	DATE: 10.4.2007	SHEET: 11 OF 25



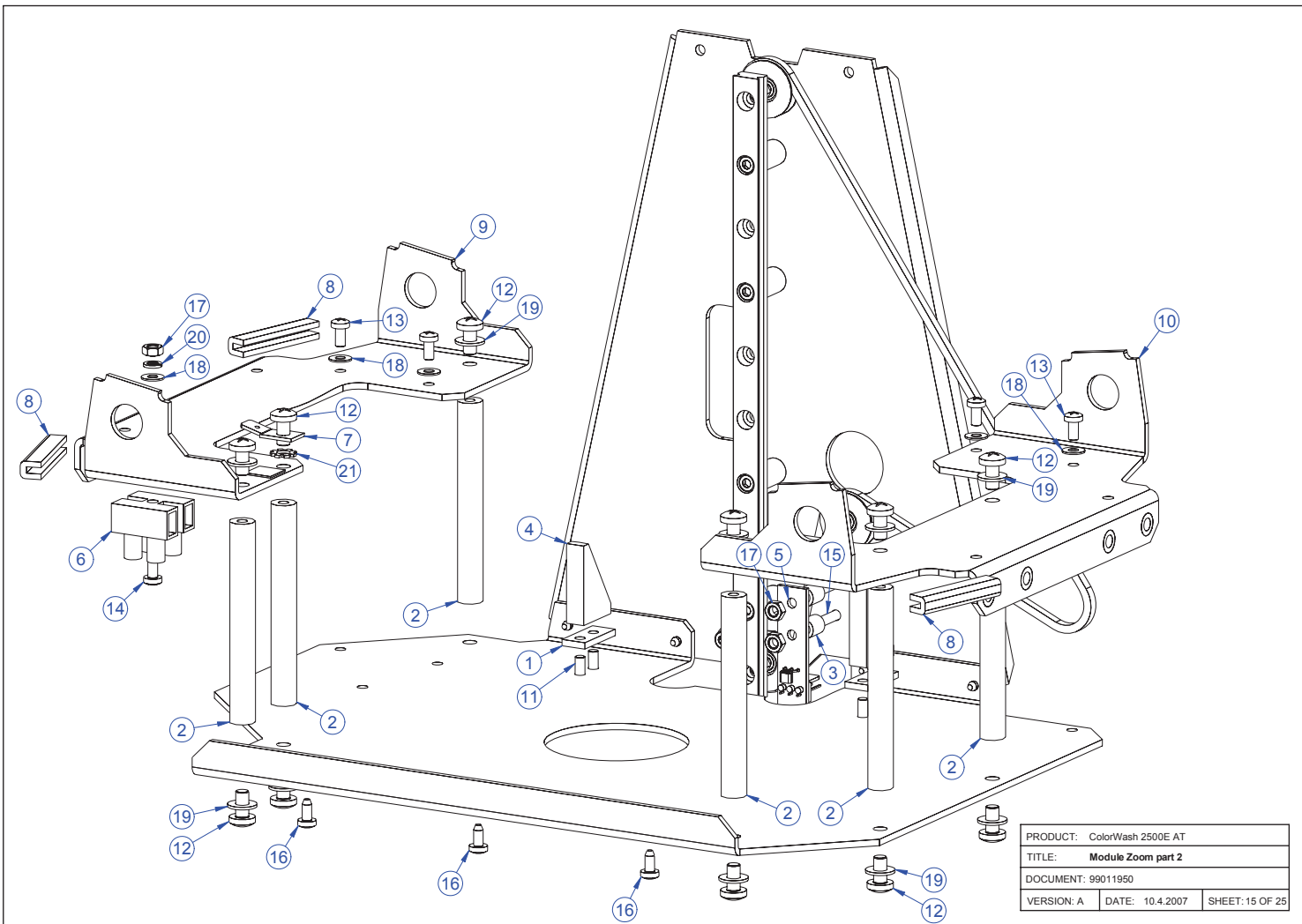
PRODUCT: ColorWash 2500E AT		
TITLE: Wheel Color 6+1 B assembled		
DOCUMENT: 99010863		
VERSION: A	DATE: 10.4.2007	SHEET: 12 OF 25

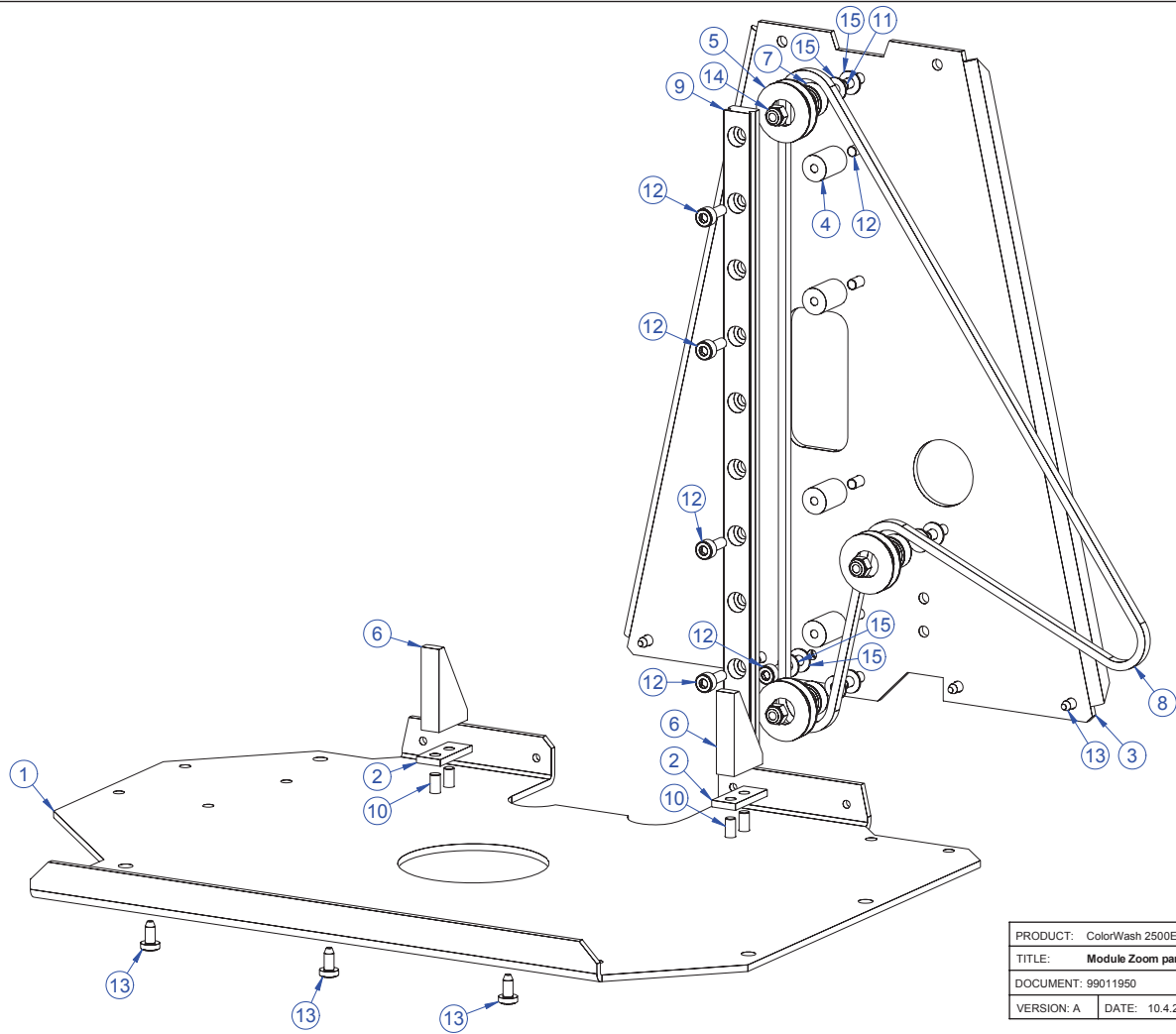


PRODUCT: ColorWash 2500E AT		
TITLE: Module Zoom part 1		
DOCUMENT: 99011950		
VERSION: A	DATE: 10.4.2007	SHEET: 13 OF 25



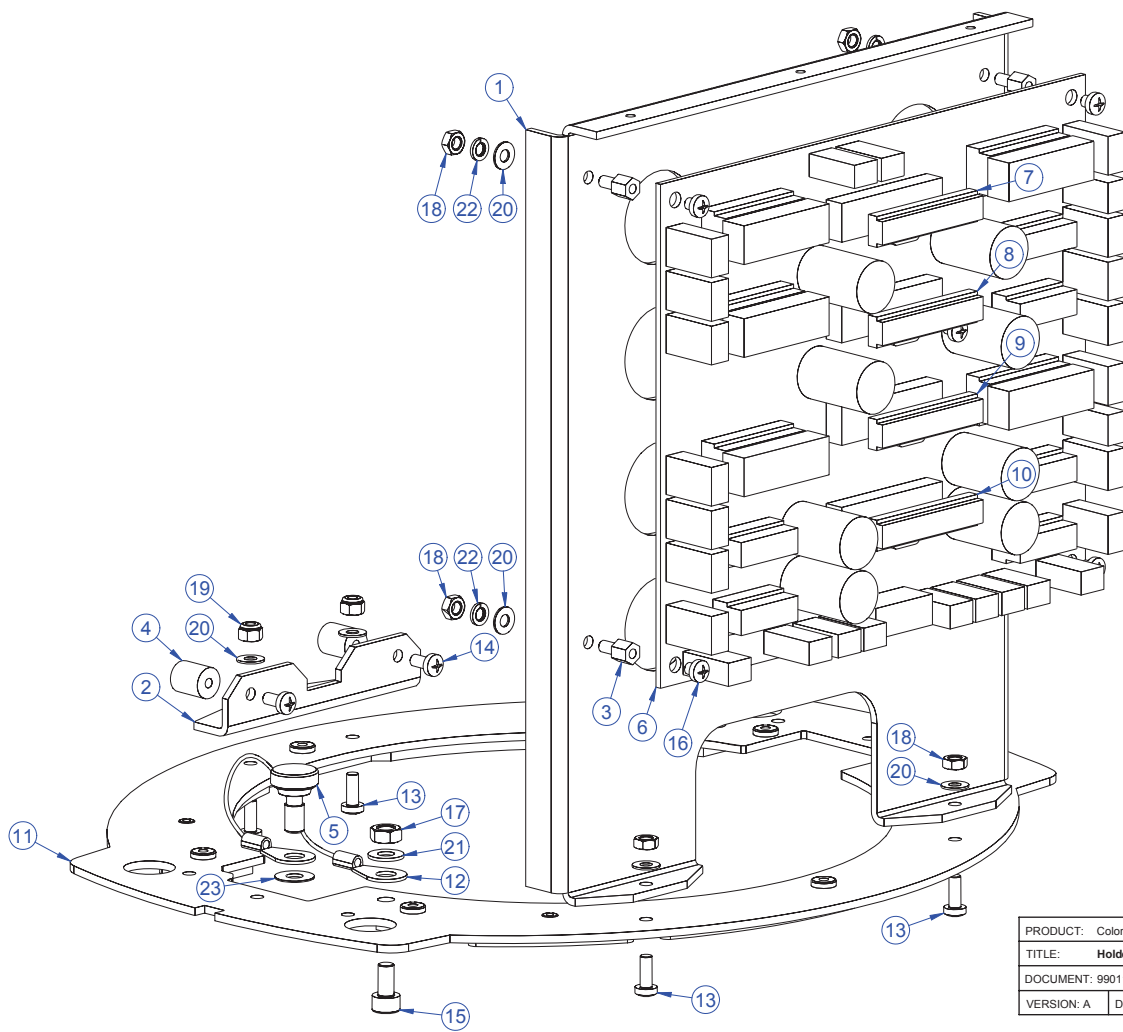
PRODUCT: ColorWash 2500E AT		
TITLE: Module Zoom 2000 - exploded		
DOCUMENT: 99011493		
VERSION: A	DATE: 10.4.2007	SHEET: 14 OF 25



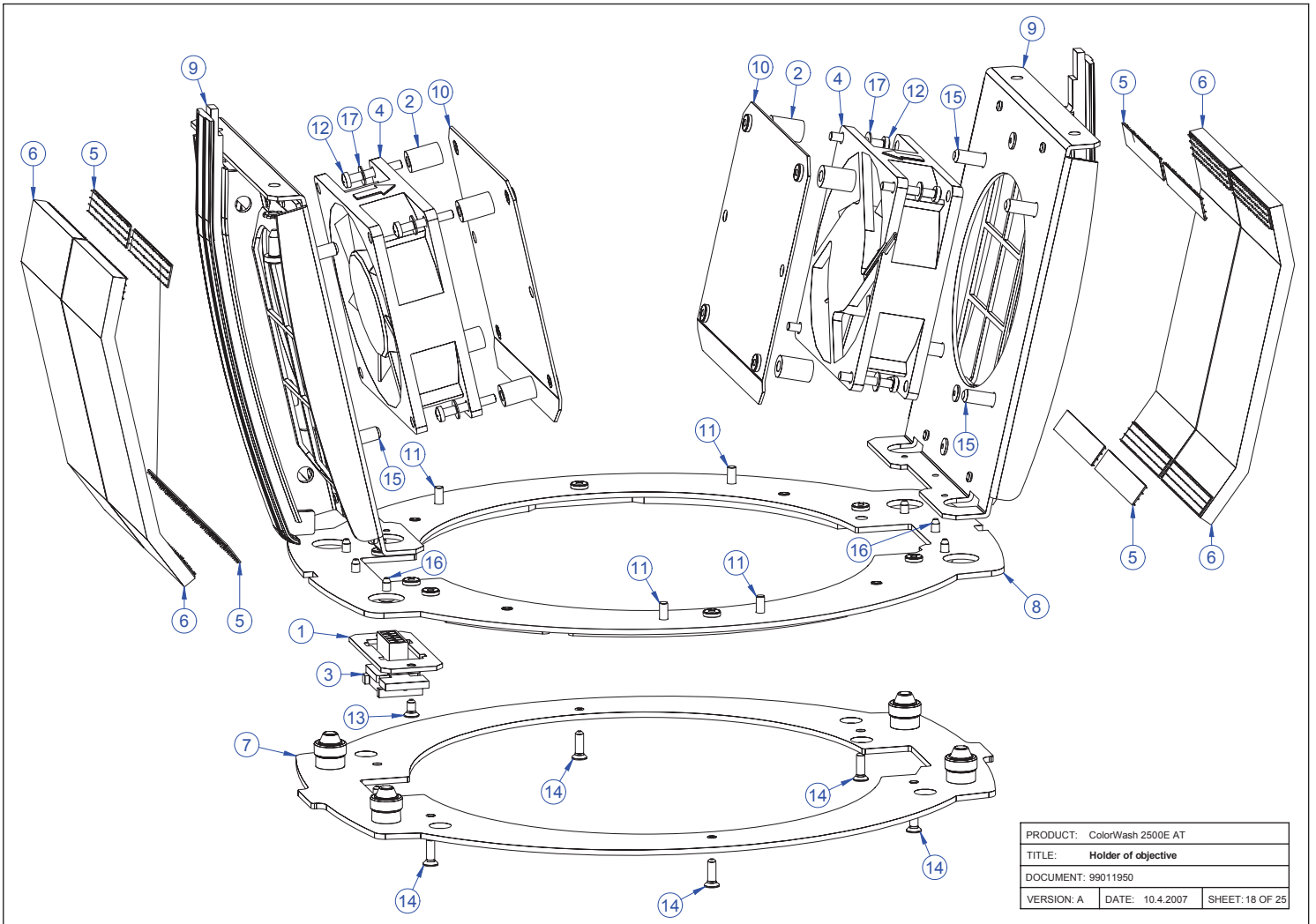


PRODUCT: ColorWash 2500E AT		
TITLE: Module Zoom part 3		
DOCUMENT: 99011950		
VERSION: A	DATE: 10.4.2007	SHEET: 16 OF 25

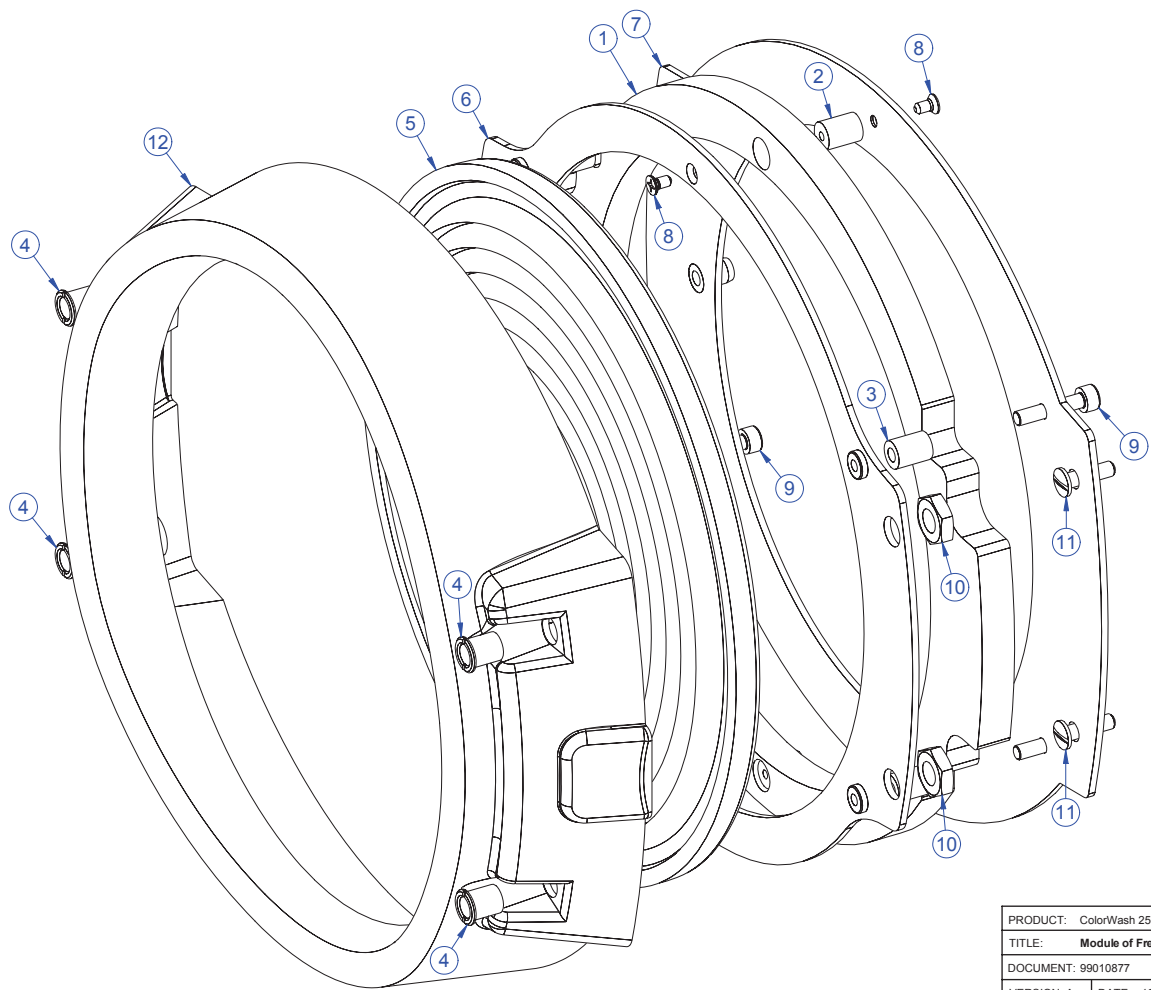




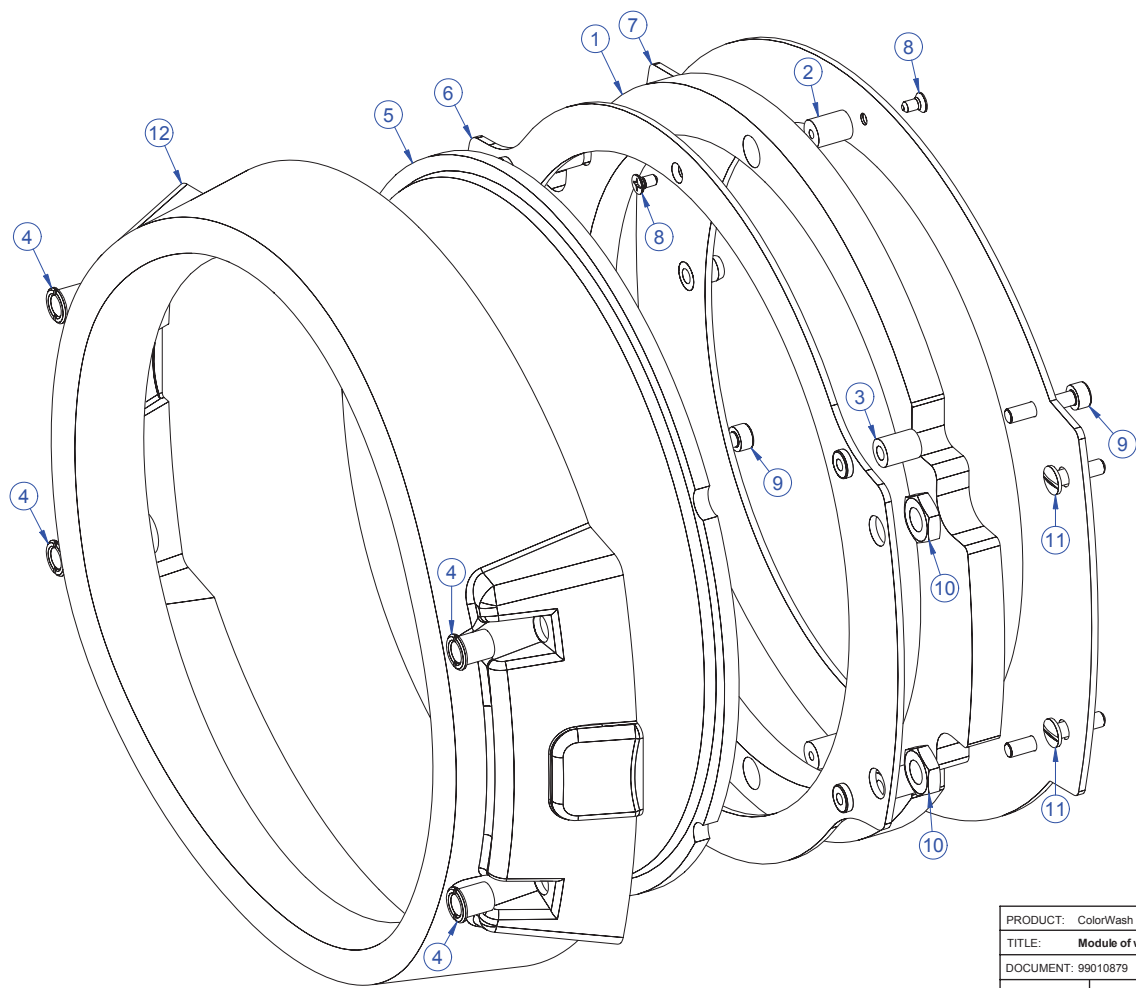
PRODUCT: ColorWash 2500E AT		
TITLE: Holder od electronic		
DOCUMENT: 99011950		
VERSION: A	DATE: 10.4.2007	SHEET: 17 OF 25



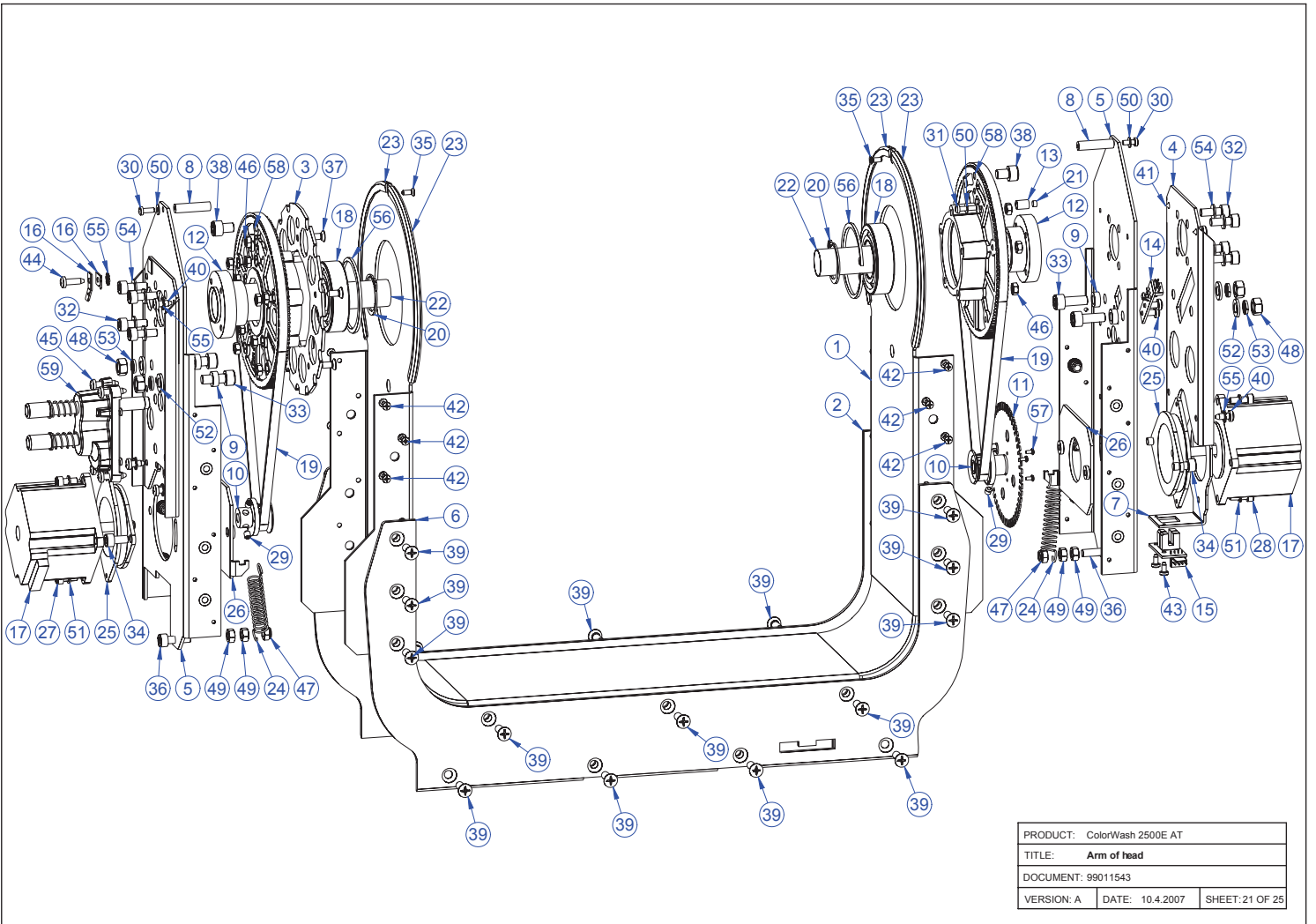
PRODUCT: ColorWash 2500E AT		
TITLE: Holder of objective		
DOCUMENT: 99011950		
VERSION: A	DATE: 10.4.2007	SHEET: 18 OF 25

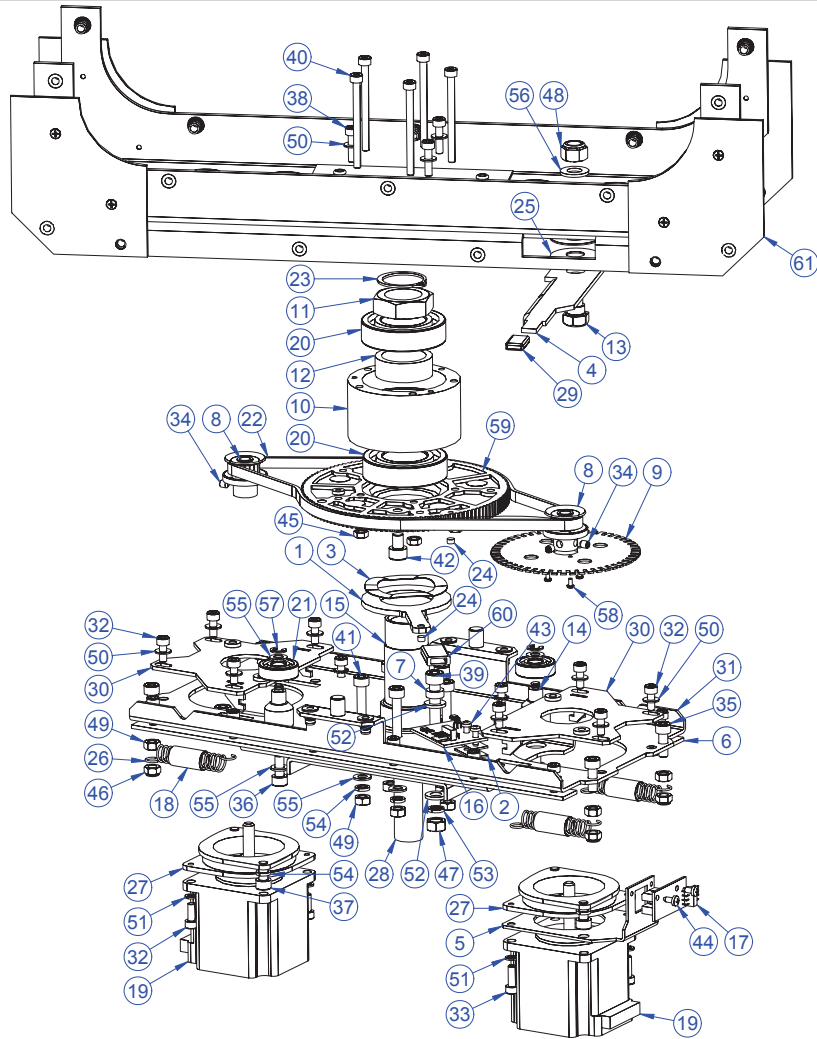


PRODUCT: ColorWash 2500E AT		
TITLE: Module of Fresnel D200		
DOCUMENT: 99010877		
VERSION: A	DATE: 10.4.2007	SHEET: 19 OF 25

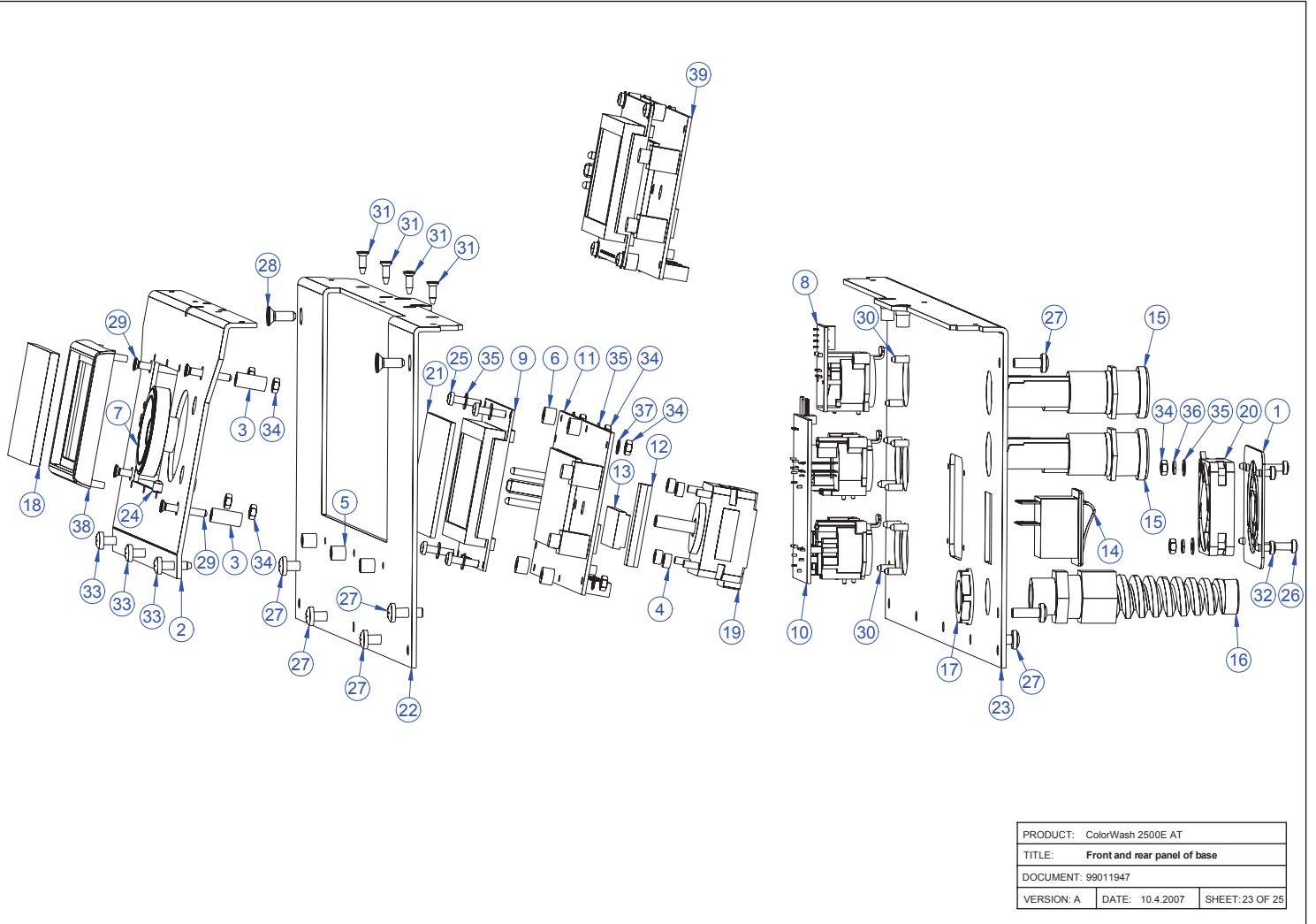


PRODUCT: ColorWash 2500E AT		
TITLE: <b>Module of wide-angle lens D200</b>		
DOCUMENT: 99010879		
VERSION: A	DATE: 10.4.2007	SHEET: 20 OF 25

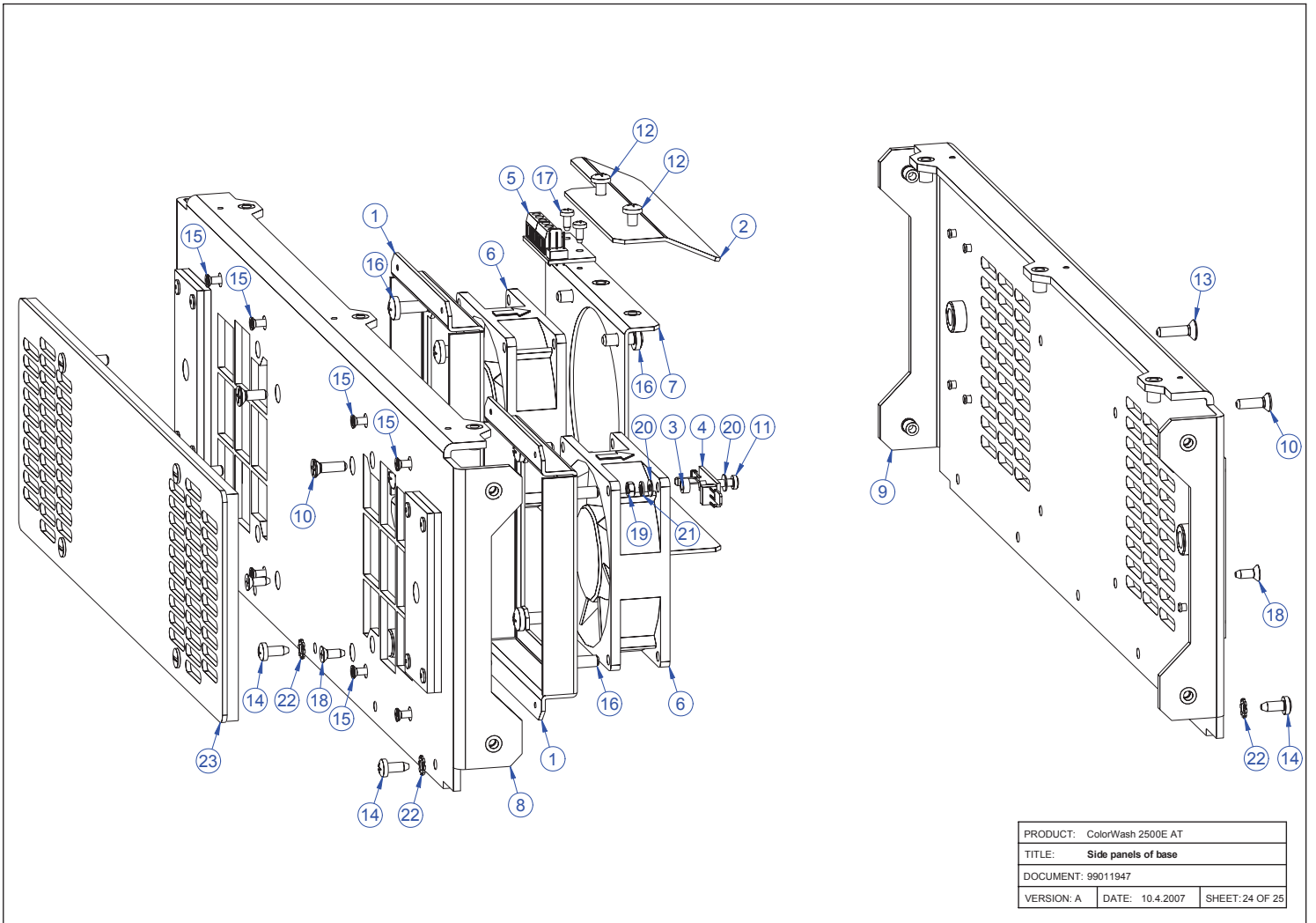




PRODUCT: ColorWash 2500E AT		
TITLE: Axe "X"		
DOCUMENT: 99010689		
VERSION: A	DATE: 10.4.2007	SHEET: 22 OF 25

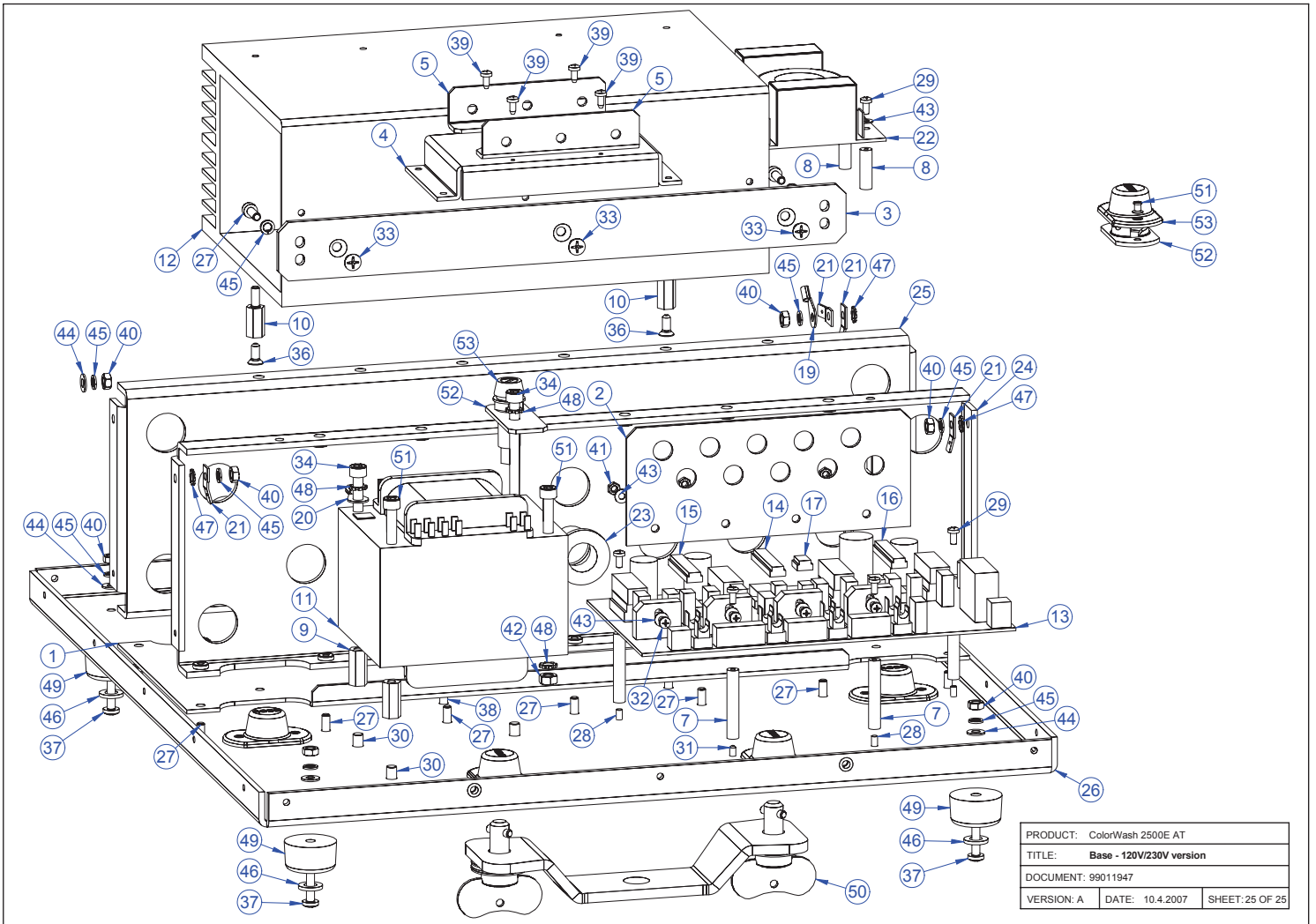


PRODUCT: ColorWash 2500E AT		
TITLE: Front and rear panel of base		
DOCUMENT: 99011947		
VERSION: A	DATE: 10.4.2007	SHEET: 23 OF 25



PRODUCT: ColorWash 2500E AT		
TITLE: Side panels of base		
DOCUMENT: 99011947		
VERSION: A	DATE: 10.4.2007	SHEET: 24 OF 25





PRODUCT: ColorWash 2500E AT		
TITLE: Base - 120V/230V version		
DOCUMENT: 99011947		
VERSION: A	DATE: 10.4.2007	SHEET: 25 OF 25